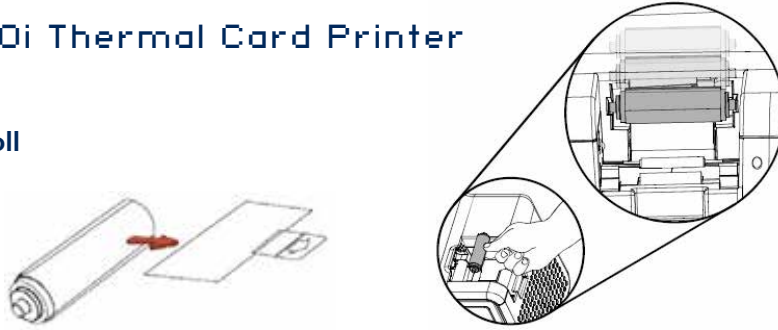


# INFO SHEET

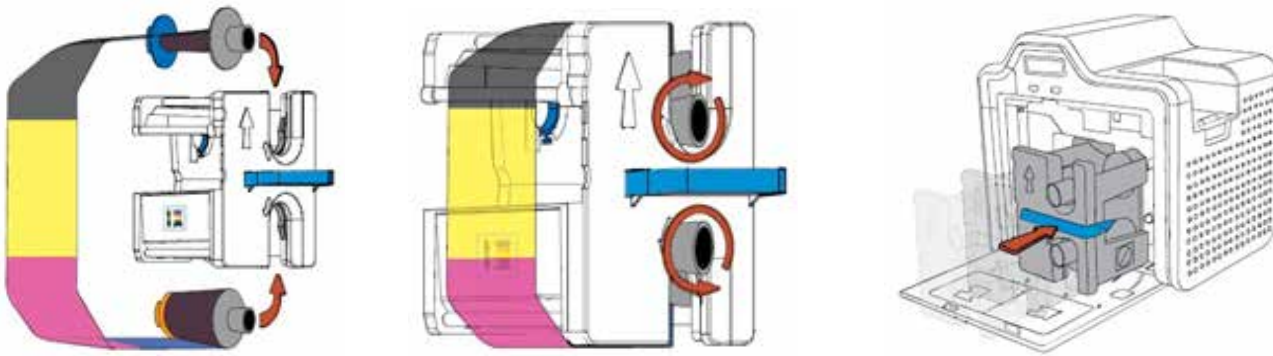
## NBS Javelin 800i Thermal Card Printer



### Inserting the cleaning roll

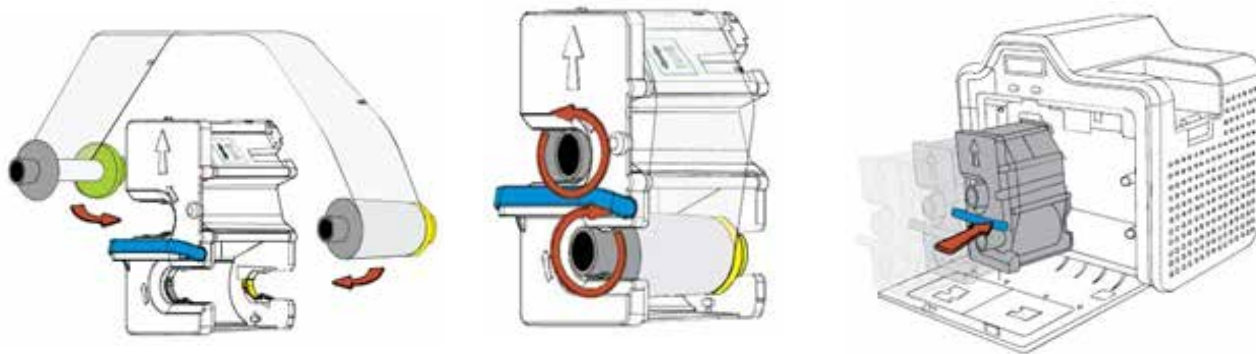


### Inserting the colour roll



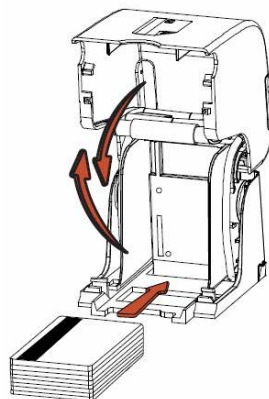
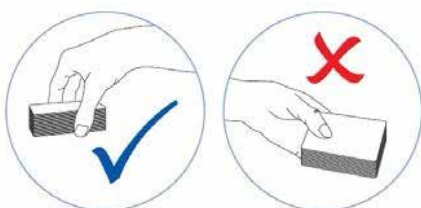
Please make sure that the colour band is tightened and the colour band cartridge locks in correctly.

### Inserting the transfer foil



Please make sure that the transfer foil is tightened and the foil cartridge locks in correctly.

### Inserting identity cards



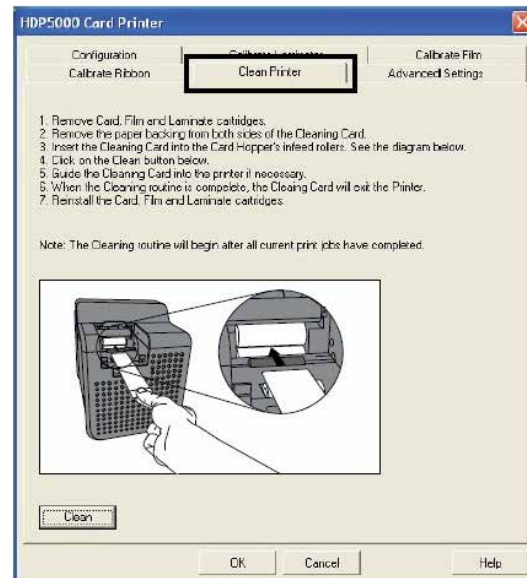
The front side of the cards must point down.

# Cleaning the cardprinter NBS Javelin J800i

IDENTA

## Cleaning (during every colour band change)

1. Remove cards, film cartridge and colour band cartridge.
2. Remove the paper backing-strip on both sides of the cleaning card.
3. Insert the small cleaning card into the card entrance.
4. Press "clean" in the printer driver settings under "clean printer".
5. If necessary, feed the cleaning card in a little.
6. Once the cleaning process is finished, the printer will eject the cleaning card.
7. Re-insert cards, film cartridge and colour band cartridge.



## Cleaning the print head

1. Remove watches, rings and bracelets.
2. Unplug the printer's mains supply.
3. Open the front cover. Remove film cartridge and colour band cartridge.
4. Use a cotton swab (squeeze it to saturate the pad) from the cleaning kit and carefully move it forward and backward over the print head. The surface of the print head is level and faces to the left (see image).



IDENTA AUSWEISSYSTEME GMBH  
Postbox 3040  
78057 VS-Schwenningen,  
Germany

IDENTA AG  
Postbox 1065  
8610 Uster 1,  
Switzerland

[www.identa.com](http://www.identa.com)